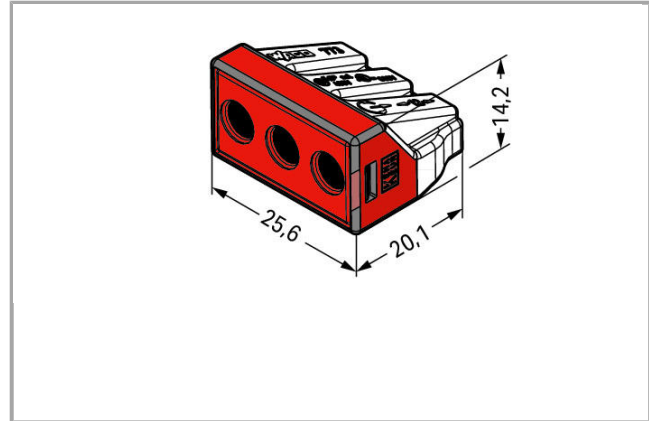


Data sheet | Item number: 773-173

PUSH WIRE® connector for junction boxes; for solid and stranded conductors; max. 6 mm²; 3-conductor; transparent housing; red cover; max. ambient operating temp. 60 °C



773-173



Item description

Note:

Terminating Aluminum Conductors

WAGO spring clamp terminal blocks are suitable for solid aluminum conductors up to 4 mm²/12 AWG if WAGO "Alu-Plus" Contact Paste is used for termination.

"Alu-Plus" Contact Paste Advantages:

- Automatically destroys the oxide film during clamping.
- Prevents fresh oxidation at the clamping point.
- Prevents electrolytic corrosion between aluminum and copper conductors (in the same terminal block).
- Provides long-term protection against corrosion.

Using terminal blocks with PUSH WIRE® Spring Pressure Connection Technology, **aluminum conductors must first be cleaned with a blade and then immediately be inserted into the clamping units filled with "Alu-Plus" Contact Paste.**

It is also possible to apply WAGO "Alu-Plus" **additionally** on the whole surface of the aluminum conductor before termination.

Please note that the nominal currents must be adapted to the reduced conductivity of the aluminum conductors:

2.5 mm² (14 AWG) = 16 A

4 mm² (12 AWG) = 22 A**Safety information 1:**

In grounded power lines

Data**Electrical data****Ratings per IEC/EN 60664-1**

Rated voltage (II / 2)	400 V
Rated impulse voltage (II / 2)	4 kV
Rated current	41 A

Connection data

Connection technology	PUSH WIRE®
Actuation type	Push-in
Connectable conductor materials	Copper Aluminum
Solid conductor	2.5 ... 6 mm ² / 14 ... 10 AWG
Stranded conductor	2.5 ... 6 mm ² / 14 ... 10 AWG
Strip length	12 ... 13 mm / 0.47 ... 0.51 inch
Total number of connection points	3
Total number of potentials	1
Type of wiring	Side-entry wiring

Geometrical Data

Width	25.6 mm / 1.008 inch
Height	14.2 mm / 0.559 inch
Depth	20.1 mm / 0.791 inch

Material Data

Color	transparent
Cover color	red
Flammability class per UL94	V2
Fire load	0.115 MJ
Weight	5.76 g

Environmental Requirements



Surrounding air (operating) temperature	60 °C
Continuous operating temperature	105 °C

Commercial data


Country of origin	CN
GTIN	4050821215141
Customs Tariff No.	85369010000

Approvals / Certificates


Country specific Approvals

Logo	Approval	Additional Approval Text	Certificate name
	CSA DEKRA Certification B.V.	C22.2	15411 (LR46759)
	ENEC 15 UL International Germany GmbH	EN 60998	ENEC- 01207

Ship Approvals

Logo	Approval	Additional Approval Text	Certificate name
	ABS American Bureau of Shipping	-	18- HG1755093- PDA

UL-Approvals

Logo	Approval	Additional Approval Text	Certificate name
	UL UL International Germany GmbH	UL 486C	E69654

Compatible products

Mounting adapter



Item no.: 773-332 Mounting carrier; 773 Series - 2.5 mm ² / 4 mm ² / 6 mm ² ; for DIN-35 rail mounting/screw mounting	773-332
---	---------

General accessories



Item no.: 249-130 Syringe; Contents: 20 ml Alu-Plus contact paste	249-130
--	---------



Downloads

Documentation

Bid Text

773-173	doc 25.6 kB	Download
---------	----------------	----------

CAD/CAE - Smart Data

CAD data

3D Download 773-173	URL	Download
---------------------	-----	----------

Subject to changes.
